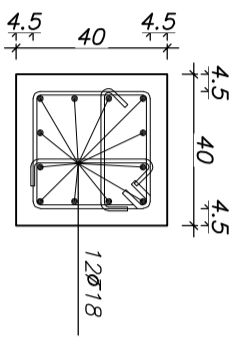
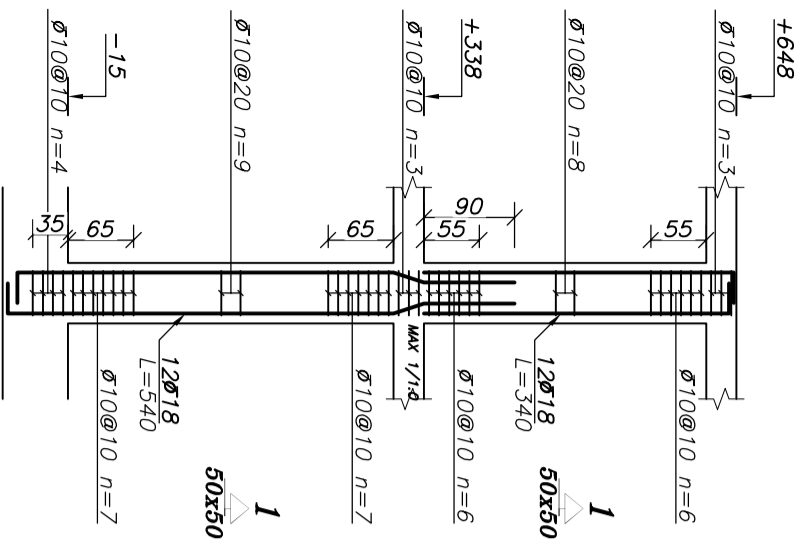


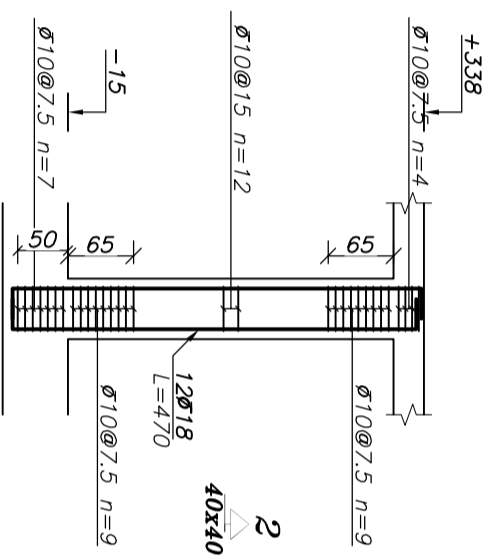
SEC 1-1
Scale 1:20



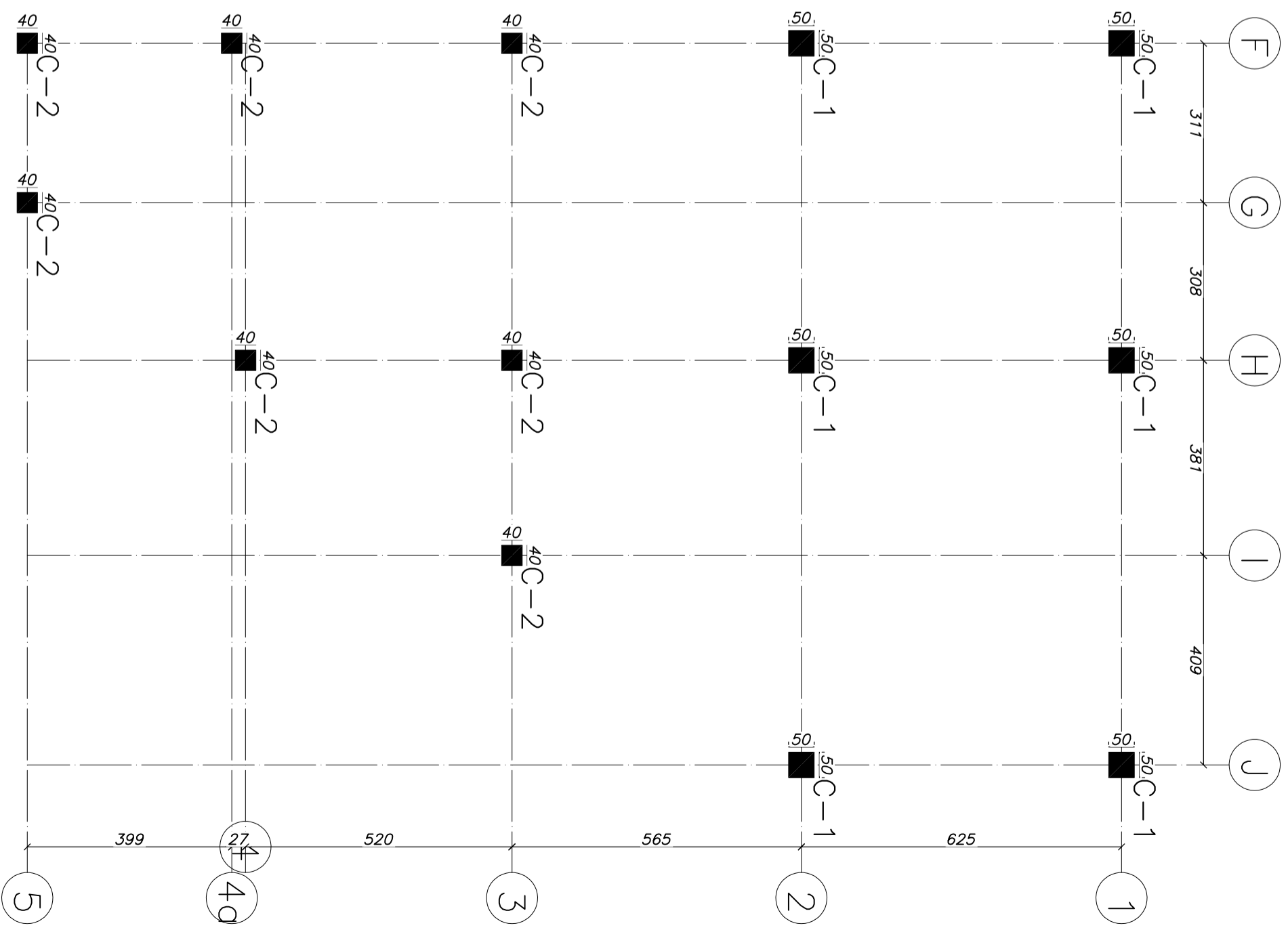
SEC 2-2
Scale 1:20



C-1
NO. = 6
Scale 1:75



C-2
NO. = 7
Scale 1:75



Column Types Plan